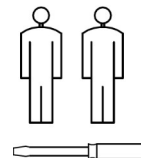
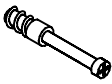


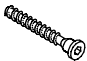
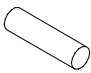
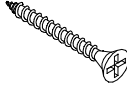
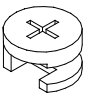
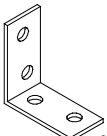


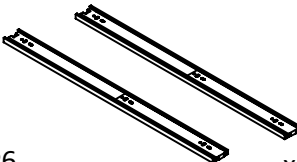
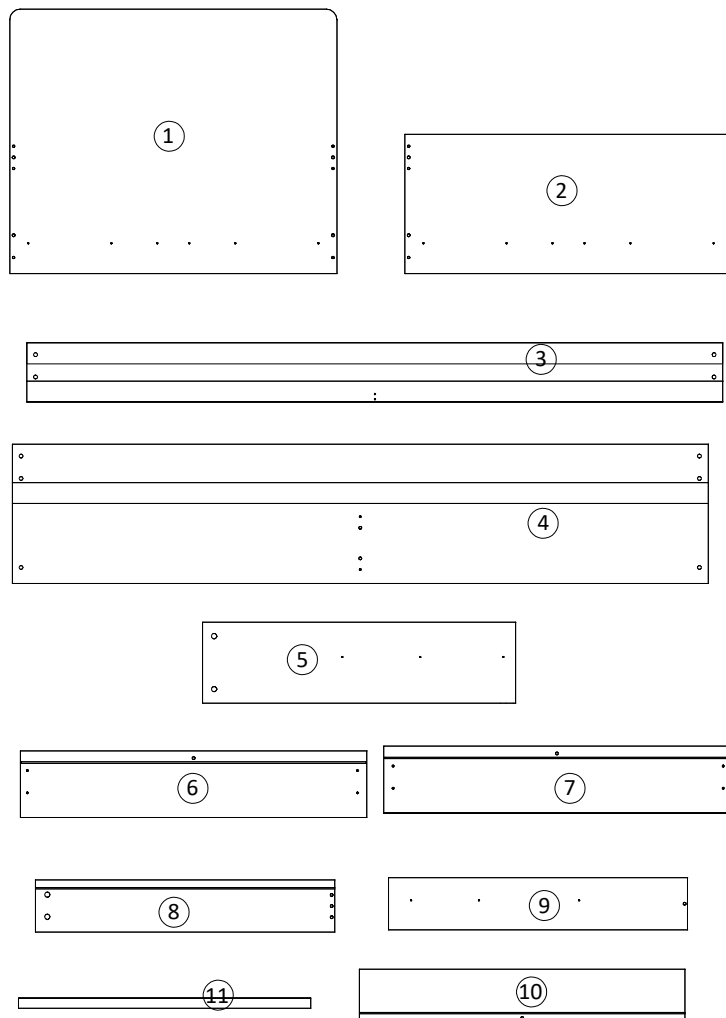
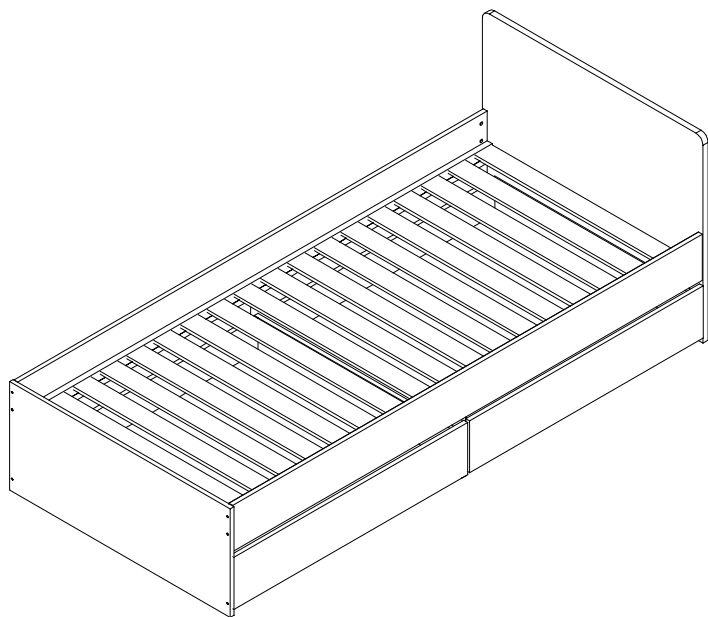


DALIA

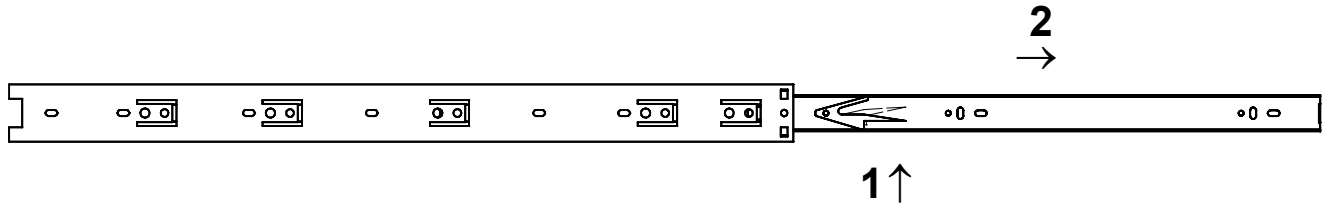
200 x 90



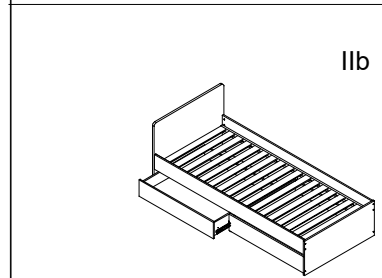
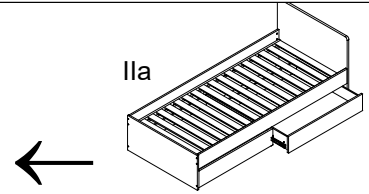
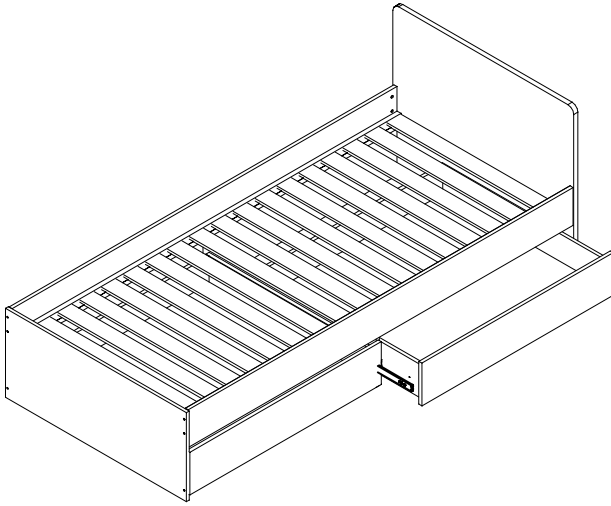
 MTP x10	 M6 x 50 S650 x8	 NW x8	 WK5 x4	 8 x 30 D8 x21	 3.5 x 30 W3530 x6
 MP x10	 K2525 x1	 3.5 x 13 W3513 x28	 A01 x1	 P6 x2 kpl	



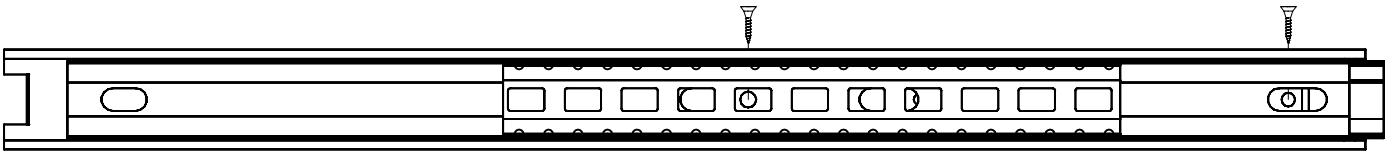
I



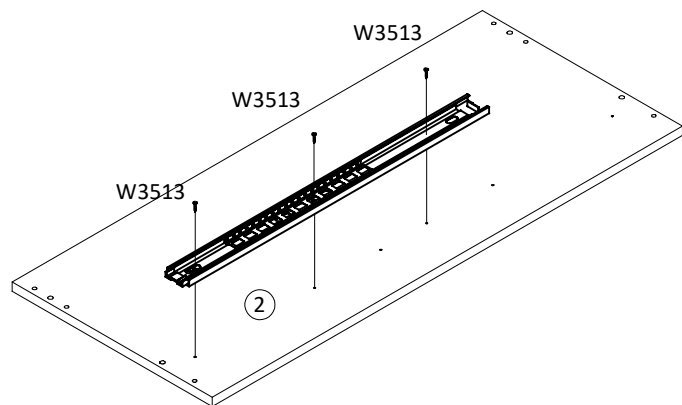
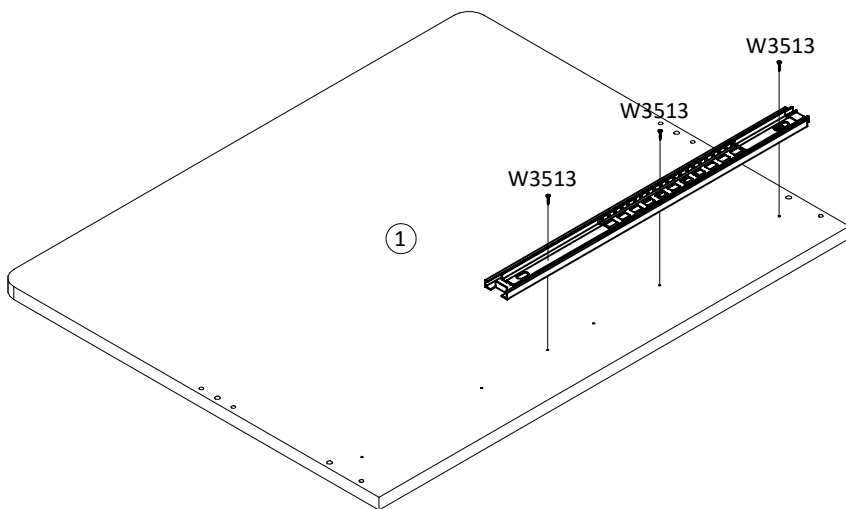
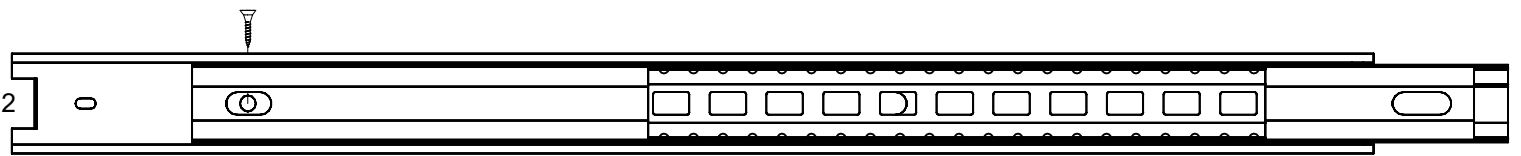
Ila



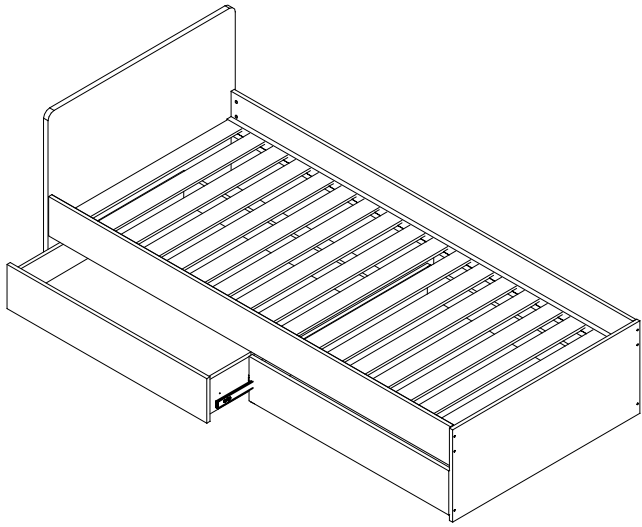
1



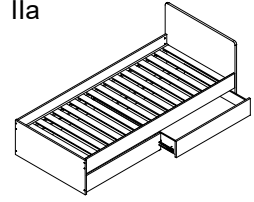
2



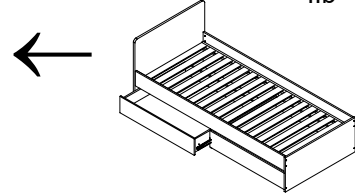
II b



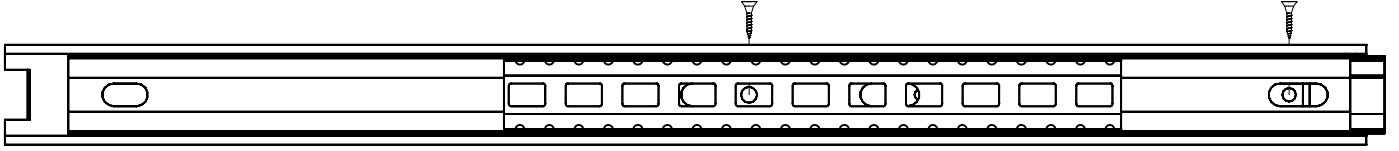
IIa



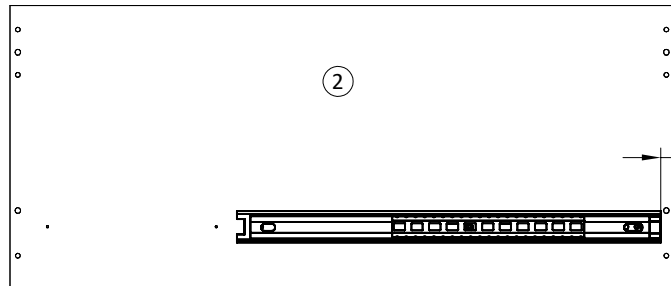
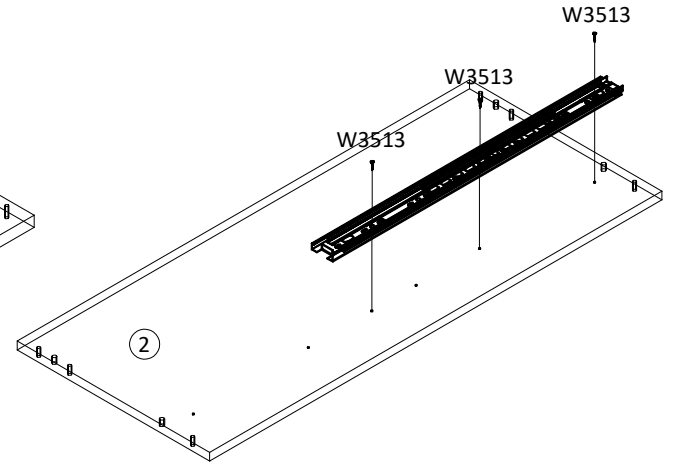
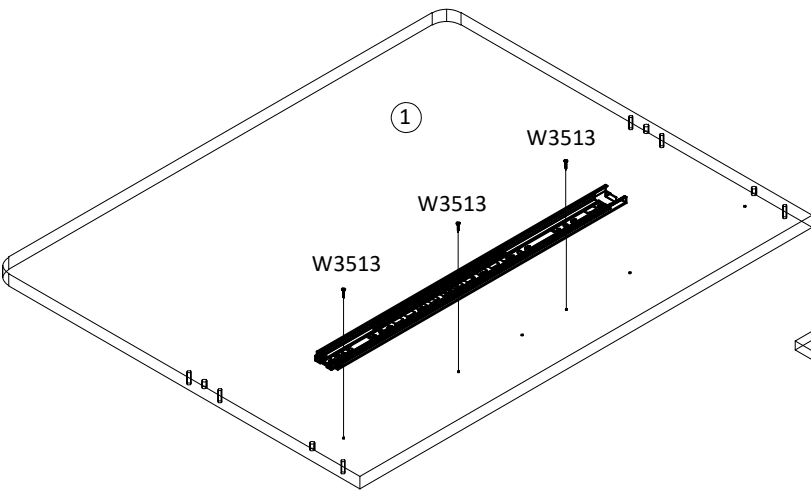
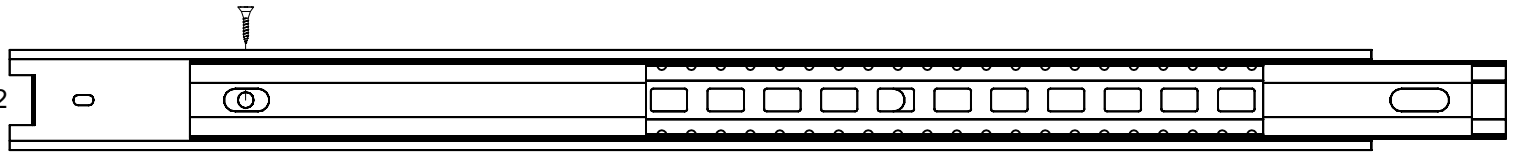
IIb



1

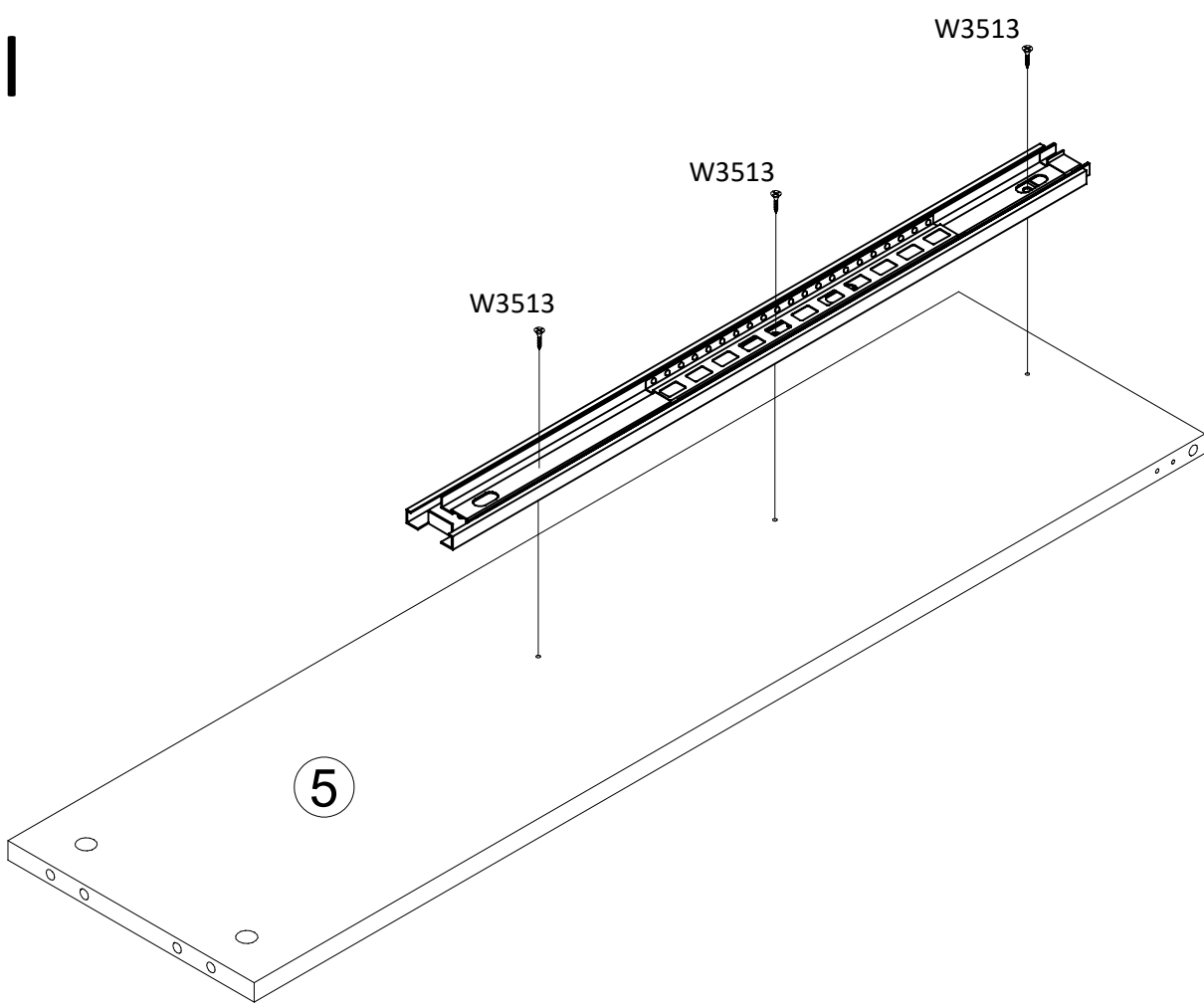


2

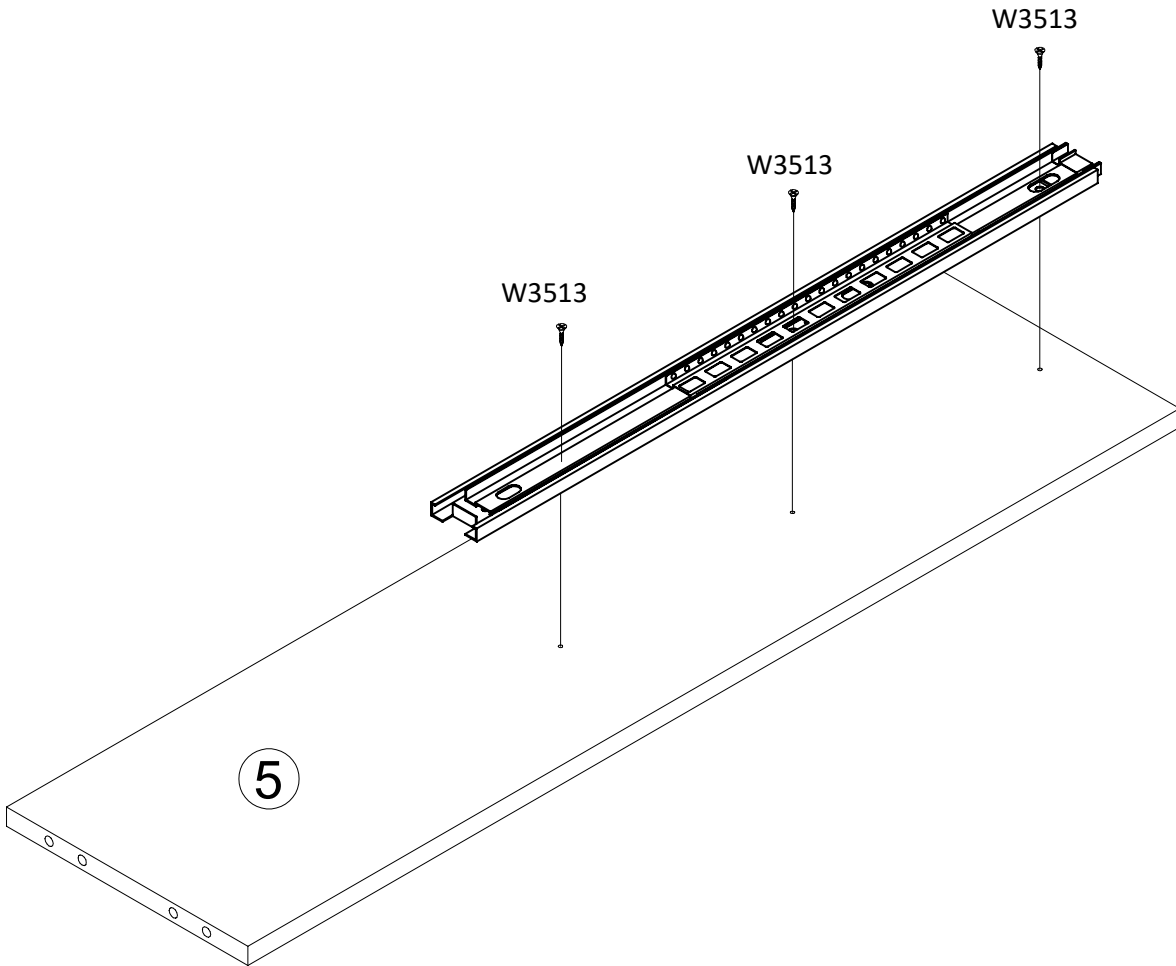


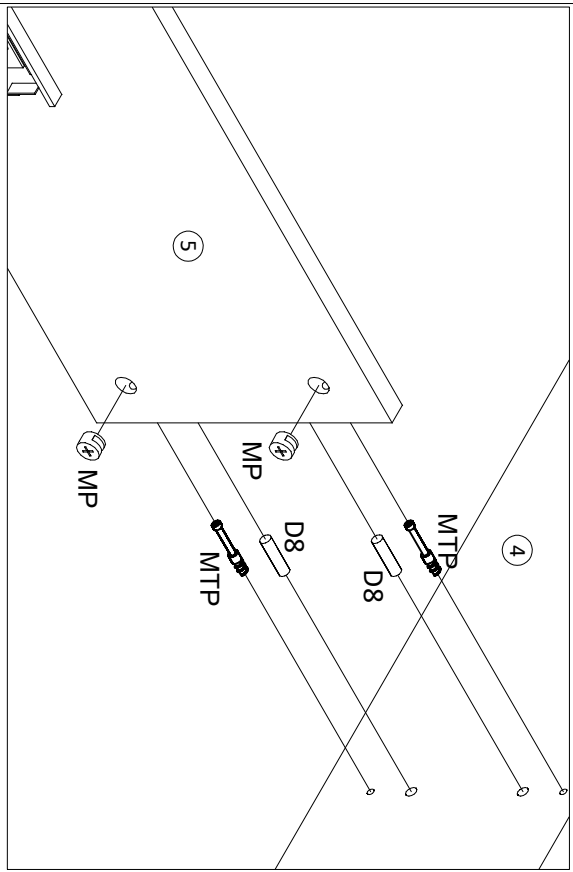
19 mm

III

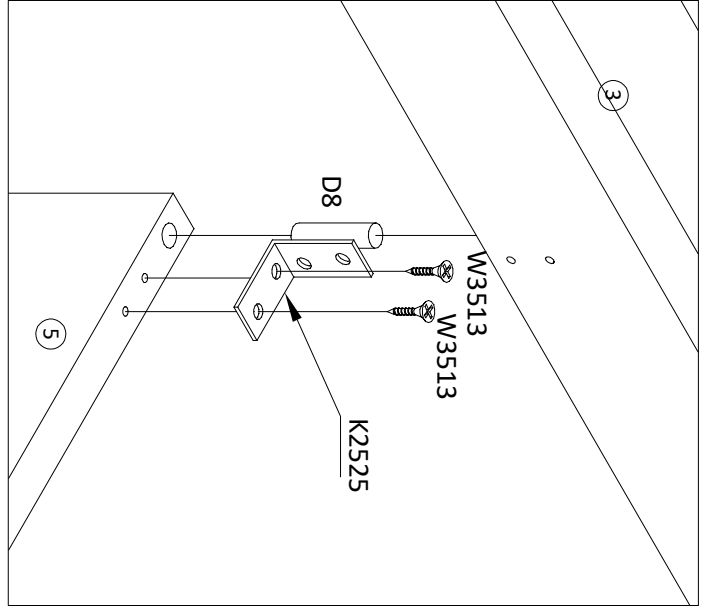
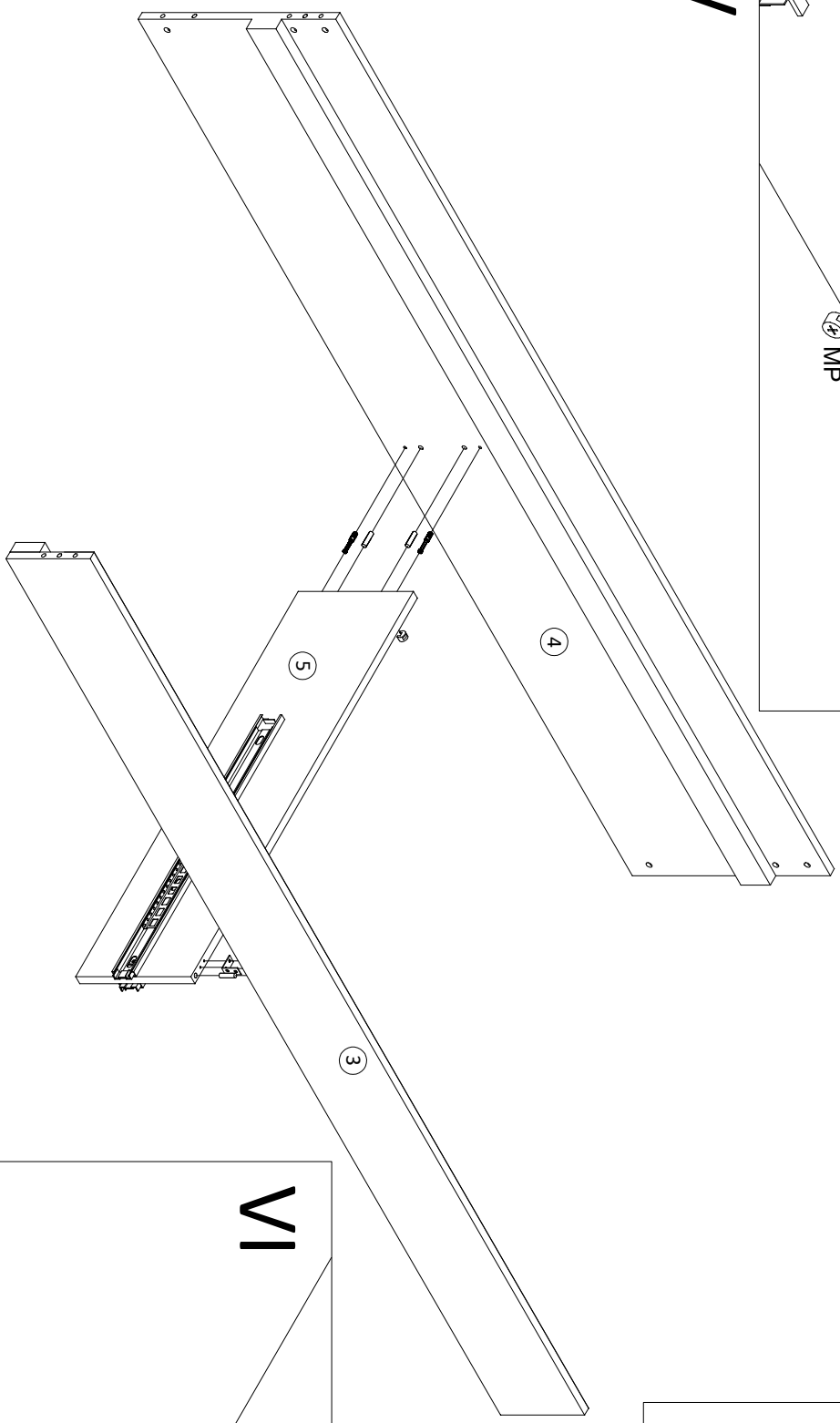


IV

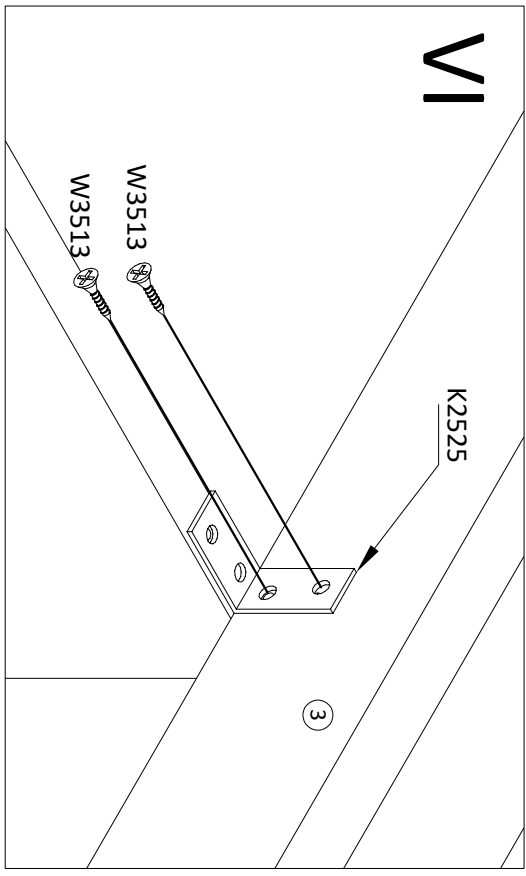




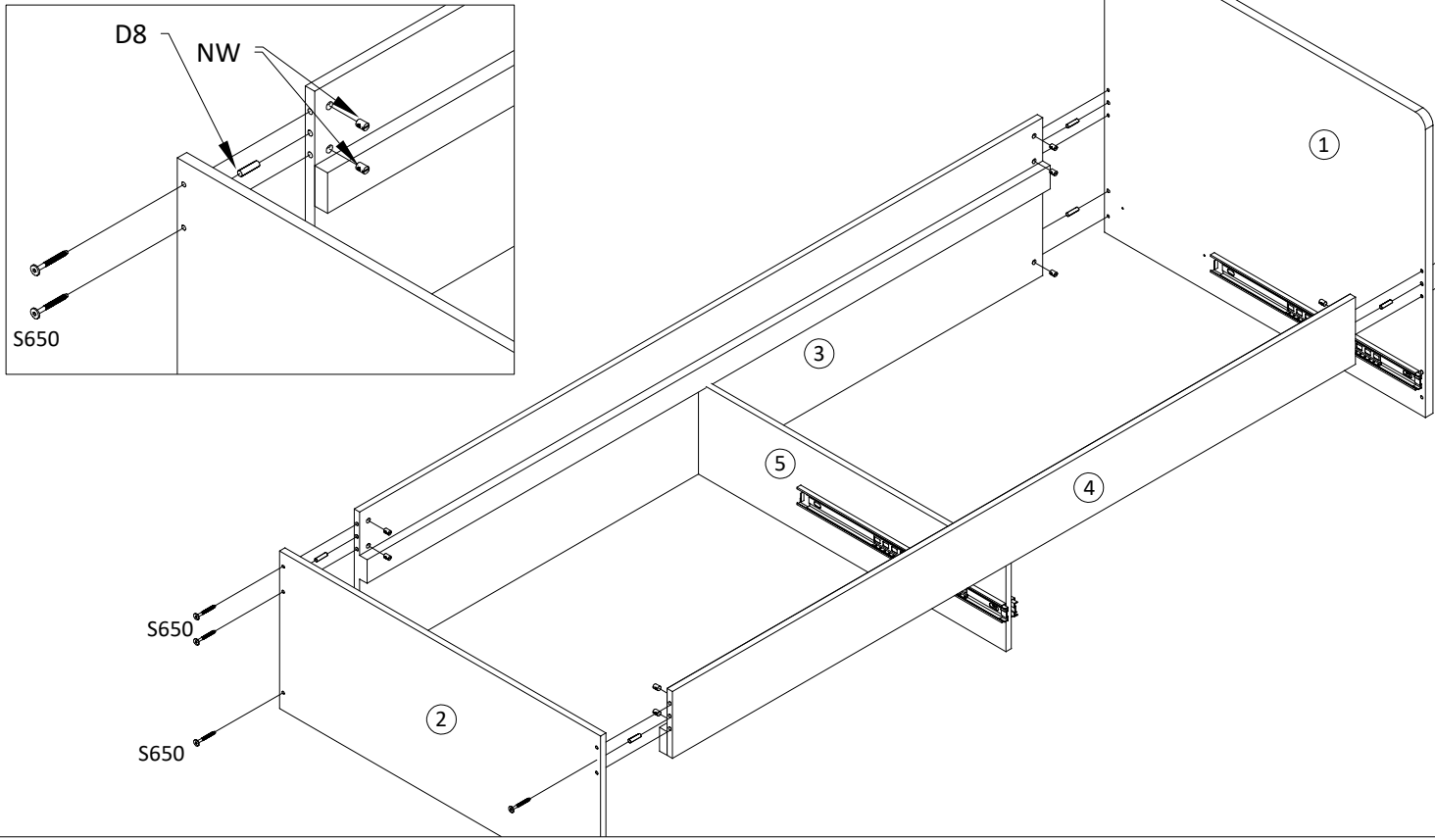
V



VI



VII



VIII

